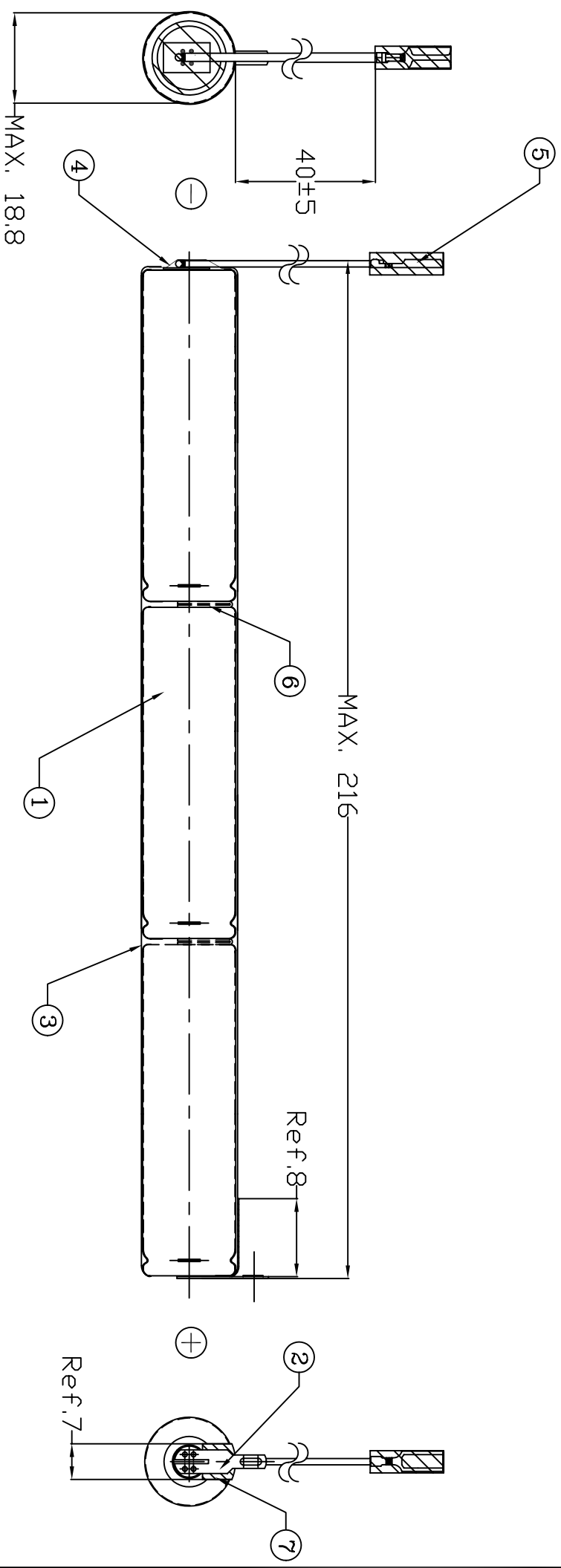


REVISIONS

| LTR | DESCRIPTION | SIGNATURE AND DATE | DWN | CHK | AUTH |
|-----|-------------|--------------------|-----|-----|------|
|     |             |                    |     |     |      |



|     |              |                                 |
|-----|--------------|---------------------------------|
| 7   | TBA          | HEAT RESISTANCE TAPE, W=7MM     |
| 6   | NS15050      | NICKEL STRIP, T=0.15MM          |
| 5   | TBA          | WIRE : AWG20, UL1015, BLACK     |
| 4   | FP025018BLK  | FIBRE PAPER, T=0.25MM, BLACK    |
| 3   | SHRINK18030W | SHRINKAGE SLEEVE, W=30MM, WHITE |
| 2   | TAB192706    | FASTON CONNECTOR, W=2.7MM       |
| 1   | NT400LAHT    | UNIT CELL                       |
| NO. | P/N          | DESCRIPTION                     |

GP Batteries

TITLE: 1A SIZE PACK CONFIGURATION (3AX)

SIGNATURE

DATE

MODEL NO.: GP4001LAHT3AX

NOMINAL VOLTAGE: 3.6V

|       |             |           |                  |                     |                   |
|-------|-------------|-----------|------------------|---------------------|-------------------|
| DRAWN | KEVIN SHUM  | 19.AUG.03 | DIVISION : PCD   | CAPACITY: 4000mAh   | DWG NO. : ZED6646 |
| CHKD  | KEVIN SHUM  | 19.AUG.03 | CELL TYPE: 400LA | SCALE: Not in scale | REV. NO.: 0       |
| APPD  | GILBERT SIN | 19.AUG.03 | Page 2 of 2      |                     |                   |

DIMENSIONS ARE IN mm AND INCLUDE PLATED FINISHES

NOTICE:  
1. DO NOT SCALE THIS DRAWING  
2. REMOVE ALL SHARP EDGES  
UNLESS OTHERWISE SPECIFIED

TOLERANCE REQUEST:  
1. DEC.PT. ± 0.10  
2. DEC.PT. ± 0.05

Manufacturer reserves the right to alter or amend the design, model and specification without prior notice.